

QSI LASER DIODE SPECIFICATIONS FOR APPROVAL

Customer :

Model : QL78M8S-A/B/C

TENTATIVE

Signature of Approval

Approved by _____

Checked by _____

Issued by _____

Approval by Customer



QSI Co., Ltd.

315-9, Cheonheung-ri, Sungger-eup,
Cheonan-city, Chungnam, Korea 330-836

WWW.QSILaser.com

QL78M8S-A/B/C

AlGaAs Laser Diode

Quantum Semiconductor International Co., Ltd.

Ver. 3 JUL. 2017

◆ OVERVIEW

QL78M8S-A/B/C is a MOCVD grown 780nm band AlGaAs laser diode with quantum well structure. It's an attractive light source, with a typical light output power of 90mW for industrial optical module and sensor application

◆ APPLICATION

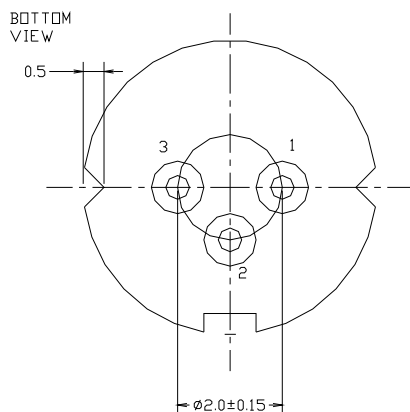
- Sensor
- Industrial optical module

◆ FEATURES

- Visible Light Output : $\lambda_p = 780 \text{ nm}$
- Optical Power Output : 90mW CW
- Package Type : TO-18 (5.6mm ϕ)
- Built-in Photo Diode for Monitoring Laser Diode

◆ ELECTRICAL CONNECTION

Bottom View



Pin Configuration

A	LD cathode, PD anode (Fig. 1)
B	LD , PD anode (Fig. 2)
C	LD anode, PD cathode (Fig. 3)

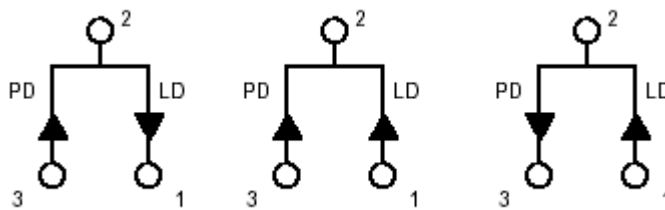


Fig. 1

QL78M8SA

Fig. 2

QL78M8SB

Fig. 3

QL78M8SC

◆ ABSOLUTE MAXIMUM RATING at Tc=25°C

Items	Symbols	Values	Unit
Optical Output Power	P	100	mW
Laser Diode Reverse Voltage	V	2	V
Photo Diode Reverse Voltage	V	30	V
Operating Temperature	Topr	-10 ~ +80	°C
Storage Temperature	Tstg	-40 ~ +85	°C

◆ ELECTRICAL and OPTICAL CHARACTERISTICS at Tc=25°C

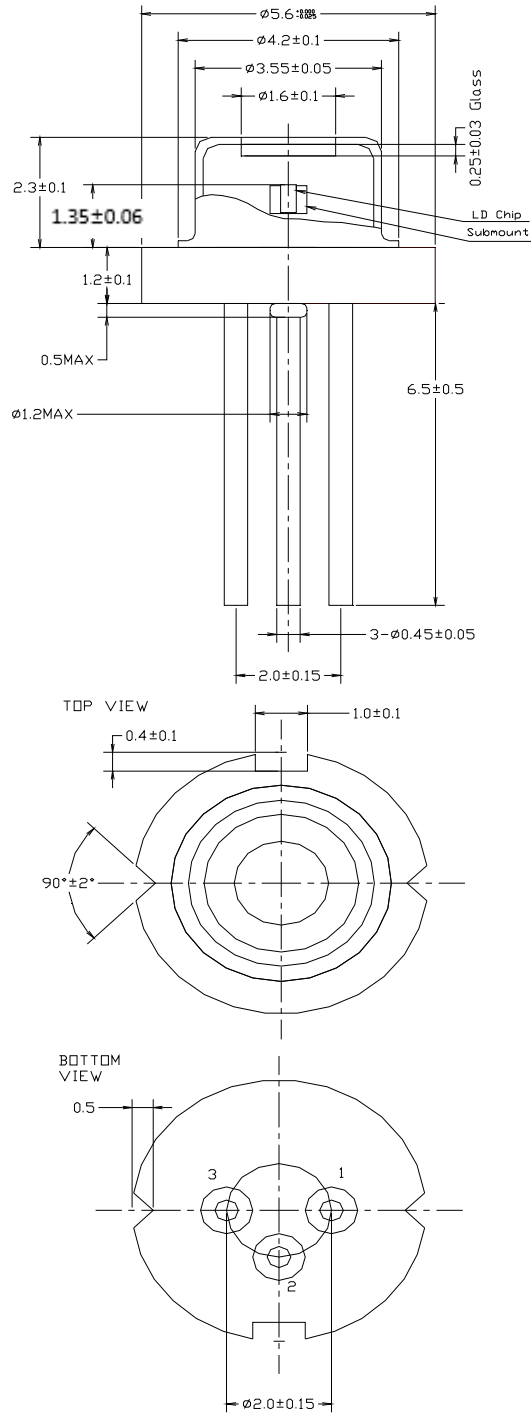
Items	Symbols	Min.	Typ.	Max	Unit	Condition
Optical Output Power	Po	-	90	-	mW	-
Threshold Current	Ith	-	30	50	mA	-
Operating Current	Iop	-	120	160	mA	Po=90mW
Differential efficiency	η	0.7	1.0	1.3	mW/mA	45~90mW
Operating Voltage	Vop	-	2.0	2.5	V	Po=90mW
Lasing Wavelength	λ_p	770	780	790	nm	Po=90mW
Beam Divergence	$\theta_{ }$	7	10	13	deg	Po=90mW
	θ_{\perp}	14	17	20	deg	Po=90mW
Beam Angle	$\Delta\theta_{ }$	-	-	± 2.0	deg	
	$\Delta\theta_{\perp}$	-	-	± 3.0	deg	
Monitor Current	I _m	0.1	0.3	0.8	mA	Po=90mW
Optical Distance	$\Delta X, \Delta Y, \Delta Z$	-	-	± 60	μm	

NOTICE : QL78M8S-A/B/C to be operated on APC

The above product specifications are subject to change without notice.



◆ PACKAGE DIMENSION



◆PACKING

